

# Nextiva S2500e

## *Super Wide, Dynamic Range IP Camera*



### High-Quality Video for Both Analog and Digital Monitors

The Nextiva™ S2500e is a wide dynamic range IP camera that supports interlaced and progressive scan video, delivering high-quality images to both analog and digital monitors.

This MPEG-4 compliant professional IP camera renders true undistorted 4CIF resolution on computer screens and 60 fields/second full-motion display on analog monitors. The Nextiva S2500e provides superior performance, with standard features that include: 0.8 Lux sensitivity with outstanding color reproduction, auto iris, simultaneous digital video and analog PAL/NTSC outputs, and IEEE 802.3af compliant Power-over-Ethernet.

The S2500e can be deployed virtually anywhere for unsurpassed flexibility, with a super wide 95 dB dynamic range that ensures quality in high-contrast environments and Power-over-Ethernet (PoE) to reduce wiring requirements.

### Easy to Configure and Manage

Nextiva Control Center, an easy-to-use management portal, simplifies deployment and enables you to configure and administer your Nextiva S2500e from a single location and application.

Nextiva HealthCheck continuously monitors the performance of the S2500e, with automated diagnostics and problem correction for greater uptime and lower service costs.

The Nextiva S2500e can also be configured and managed using nDVR™ or Sconfigurator software or from an Internet Explorer Web browser.

Built on open industry standards, the Nextiva S2500e is analytics certified and firmware upgradeable, providing long-term investment protection and a path for growth.

### Key Features

- ✓ Super wide 95 dB dynamic range IP camera
- ✓ Supports both interlaced and progressive scan video
- ✓ 0.8 Lux sensitivity with outstanding color reproduction
- ✓ Dual stream, MPEG-4 SP video input
- ✓ High-resolution, 4CIF video streaming at 30 FPS
- ✓ Scalable resolution: 176x128 to 704x480 pixels NTSC
- ✓ PoE (IEEE 802.3af standard)
- ✓ One video input, two discrete alarm inputs, and one relay output
- ✓ Analytics certified
- ✓ Automated configuration, health monitoring, and diagnostics with Nextiva

Nextiva Intelligent Edge Devices address security and performance challenges across a wide range of environments and applications.

The Nextiva S2500e wide dynamic range IP camera provides high-quality images to both analog and digital video monitors.



## GENERAL

Imaging Device	1/3-inch digital sensor
Dynamic Range	95 dB typical/120 dB maximum
Picture Elements	Sensor resolution: 742 (H) x 554 (V)
Scanning System	Progressive 525 (NTSC)/625 (PAL) lines
Synchronization	Internal
Iris Control	Automatic/manual
Auto Iris Lens Type	DC-drive
Sensitivity	0.8 lux, F1.2, 40 IRE
Signal-to-Noise Ratio	52 dB

## NETWORK

Interface	Ethernet 10/100Base-T
Connector	RJ-45 jack
Protocols	Transport: RTP/IP, UDP/IP, TCP/IP, or multicast IP Others: DNS and DHCP client
Security	SSL-based authentication

## VIDEO

Analog Output	1 composite, 1 Vpp into 75 ohms (NTSC/PAL) Connectors: BNC female
Compression	MPEG-4
Resolution	Scalable from 176 x 128 to 704 x 480 pixels NTSC (176 x 144 to 704 x 576 pixels PAL)
Frame rate	1-30 fps programmable (full motion)
Bandwidth	Configurable between 30 kbps and 4 Mbps

## ALARM

Alarm	Input: 2 dry contact inputs Output: 1 relay contact output (48V AC/DC at 100 mA max.)
-------	---

## POWER

Supply voltage	36-57V DC PoE; PoE 802.3af
----------------	----------------------------

## PHYSICAL

Lens Mount	C/CS mounts
Camera Mount	1/4-inch UNC-20 screw, located on the bottom of camera housing
Enclosure	Metal case
Weight	1.19 lbs (0.54 kg)
Environmental	32°F to 113°F (0°C to 45°C)
Humidity	95% non condensing at 122°F (50°C)

## MANAGEMENT

Configuration	Nextiva, nDVR, SConfigurator, or Internet Explorer 6.0
Firmware upgrade	Flash memory for upgrade of video codec and application firmware over the network

## CERTIFICATION AND REGULATION

USA	FCC part 15 (subpart B, class A)
Canada	ICES-003/NMB-003
Europe	CE marked, EN 55022:1998 class A, EN 55024

## WARRANTY

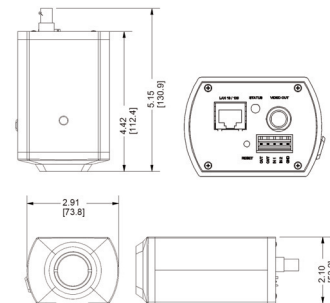
1-year limited warranty, covering parts and labor

## ORDERING

Part number	S2500e
Description	Professional IP camera with Power over Ethernet (PoE) support

## RECOMMENDED LENSES (NOT INCLUDED)

Any good quality C or CS mount 1/3 inch format, manual or DC auto iris lens



AIRLINX Communications, Inc.  
Box 253  
Greenville, NH 03048  
E-mail: sales@airlinx.com  
Tel: (888) 224-6814  
Fax: (603) 878-0530